

Pacific Girder Clamps

Clamps

Pacific Girder Clamps are used to safely suspend loads of many descriptions from girders (I-beams). Manual, Electric and Air hoist installations are examples of their wide capability of usage.

Features

- **All Pacific girder clamps** are manufactured to comply with AS4991.
- **Quick and easy to install** and reposition makes them ideal for maintenance tasks.
- **Jaws clamp** over girder flanges.
- **Also suitable** for lifting I-beams.
- **Can be used at up to 45 degree** angle with a 50% reduction in capacity.



The information shown is to be used as a guide only. Specifications are subject to change without notice. All materials handling or lifting jobs should be assessed individually. Pacific Hoists products are NOT to be used for lifting or lowering persons.

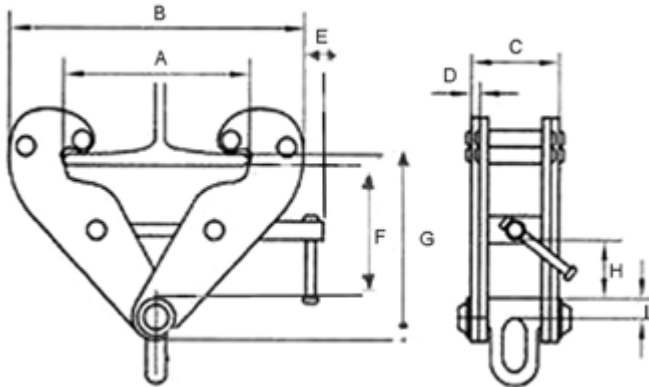


“We have the right product, at the right price, when you need it, on-time, every time”

Specifications

Model	PGC310	PGC320	PGC330	PGC350	PGC390
Stock Code	PGC310	PGC320	PGC330	PGC350	PGC390
Rated Capacity (kg)	1000	2000	3000	5000	10,000
Beam width range (mm)	80 - 245	80 - 245	90 - 310	90 - 310	90 - 320
Net Weight (kg)	3.5	4.5	9.5	11.0	16.0

Dimensions (in mm)



Model	PGC310	PGC320	PGC330	PGC350	PGC390
A	270	270	365	365	365
B	375	375	520	520	520
C	66	74	103	111	120
D	4	6	8	10	12
E	210	210	258	258	280
F	165	165	225	225	230
G	25	25	45	45	50
H	50.5 - 82	50.5 - 82	80.5 -126	80.5 -126	94.5 - 138
I	12	12	19	19	21

The information shown is to be used as a guide only. Specifications are subject to change without notice.
 All materials handling or lifting jobs should be assessed individually. Pacific Hoists products are NOT to be used for lifting or lowering persons.

