

Pacific Series 1 Girder Trolleys

Pacific Series 1 Girder Trolleys feature a strongly constructed, fully adjustable trolley which is designed to fit the flanges of both tapered and parallel beams. They are available as push or geared variety and comply with all relevant Australian Standards.

Features

- **All Pacific** girder trolleys are manufactured to comply with AS1418.2.
- **Choose** from either push or hand-gearled travel.
- **Twin pin** configuration provides closer headroom than single pin variety.
- **Available** to suit larger beam widths on request.
- **Fitted** with anti-drop plates for improved safety and compliance.
- **Can** be supplied close coupled to suit most Pacific Hoists.



The information shown is to be used as a guide only. Specifications are subject to change without notice. All materials handling or lifting jobs should be assessed individually. Pacific Hoists products are NOT to be used for lifting or lowering persons.



Specifications

Trolley

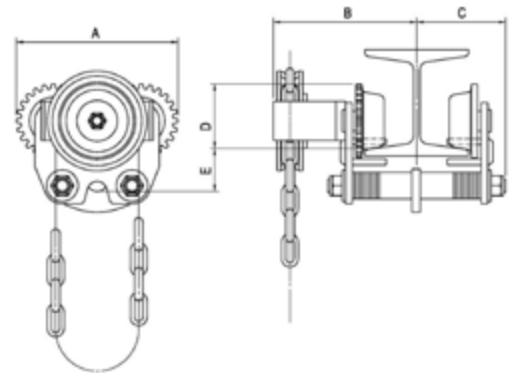
Pacific Series 1 Girder Trolleys (GEARED)

Model	PGT110	PGT120	PGT130	PGT150	PGT160
Stock Code	PGT110	PGT120	PGT130	PG150	PGT160
Rated Capacity (kg)	1000	2000	3000	5000	10,000
Beam width (mm)	76 - 204	90 - 216	126 - 210	126 - 210	125 - 310
Min. curve radius (m)	1.0	1.5	1.7	1.7	2.7
Net Weight (kg)	15.08	24.44	40.30	42.10	131.0
Gross Weight (kg)	15.75	25.32	41.64	43.50	148.0

*Additional beam width available on request.

Pacific Series 1 Girder Trolleys (GEARED)

Model	PGT110	PGT120	PGT130	PGT150	PGT160
A	238	303	332	332	399
B	206	212.5	210.5	210.5	335.5
C	153	164	176	179	253.5
D	87	117.5	131	131	167
E	69	83	125.5	125.5	172



The information shown is to be used as a guide only. Specifications are subject to change without notice. All materials handling or lifting jobs should be assessed individually. Pacific Hoists products are NOT to be used for lifting or lowering persons.



“We have the right product, at the right price, when you need it, on-time, every time”