

JDN Air Hoists

J.D. Neuhaus manufactures high quality, superior PROFI Air Hoists which are known for their robust designs. This makes their products suitable for tough industrial applications, even in continuous working processes. Safety features, as 100% duty rating and explosion protecting, are an important advantage for applications in hazardous areas.

Features

- **Manufactured in Germany**, under strict quality control with demanding tolerances.
- **All JDN models** are manufactured to comply with AS1418.2.
- **Patented pre-lube motor** design for low maintenance, oil-free operation.
- **100% duty** rating and unlimited duty cycle suits all environmental conditions.
- **Only six atmospheres** of compressed air required.
- **Insensitive to dust**, humidity and temperatures ranging from -20 °C up to + 70 °C.
- **ATEX-approved** models available, suitable for application in dangerous and explosive environments.
- **Self-cooling** economic air motor which will not overheat.
- **Fail-safe brake**, in case of air supply failure.
- **From 1 tonne** upwards available with overload protection.
- **Low** decibel rating.
- **F-type** sensitive infinitely variable speed control for the precise positioning of loads.
- **Cord control** or Brass Pendant control available, as well as an electro pneumatic interface for Radio Remote control as an option.
- **Easy operation** and low maintenance design.



The information shown is to be used as a guide only. Specifications are subject to change without notice. All materials handling or lifting jobs should be assessed individually. Pacific Hoists products are NOT to be used for lifting or lowering persons.



Specifications

Hoists

Model	0.25Ti	0.5Ti	1Ti	1.5Ti	2Ti	3Ti
Stock Code	JDN705	JDN706	JDN715	JDN719	JDN725	JDN735
Rated Capacity (kg)	0.25	0.5	1	1.6	2	3.2
Weight with standard 3m lift (m)	27	27	28	56	34	86
No. of chain strands	1	1	1	1	2	1
Motor Power (kW)	1.0	1.0	1.0	1.3 - 2	1.0	3.5
Chain Dimension (mm)	7 x 21	7 x 21	7 x 21	9 x 27	7 x 21	13 x 36
Air Pressure (bar)	6	6	6	4 - 6	6	6
Air Consumption at full load (m ³ /min)						
Lifting	1.2	1.2	1.2	1.5 - 2.6	1.2	4
Lowering	1.5	1.5	1.5	2.2 - 3.6	1.5	5.5
Air Connection	G 1/2	G 1/2	G 1/2	G 3/4	G 1/2	G 3/4
Lifting speed at full load (m/min)	20	11	5.5	4 - 6	2.7	5
Lowering speed at full load (m/min)	38	17	11	11 - 12	5.5	10.8

Model	3Ti/2	6Ti	10Ti	16Ti	20Ti
Stock Code	JDN732	JDN765	JDN775	JDN785	JDN795
Rated Capacity (tonne)	3.2	6.3	10	16	20
Weight with standard 3m lift (m)	66	110	156	240	285
No. of chain strands	2	2	2	3	4
Motor Power (kW)	1.3 - 2	3.5	3.5	3.5	3.5
Chain Dimension (mm)	9 x 27	13 x 36	16 x 45	16 x 45	16 x 45
Air Pressure (bar)	4 - 6	6	6	6	6
Air Consumption at full load (m ³ /min)					
Lifting	1.5 - 2.6	4	4	4	4
Lowering	2.2 - 3.6	5.5	5.5	5.5	5.5
Air Connection	G 3/4	G 3/4	G 3/4	G 3/4	G 3/4
Lifting speed at full load (m/min)	2 - 3	2.5	1.6	1	0.7
Lowering speed at full load (m/min)	5.5 - 6	5.4	3.4	2.1	1.6

*PROFI range available up to 100 tonne.

**Chain buckets, longer lift heights and alternative controllers available at additional cost.

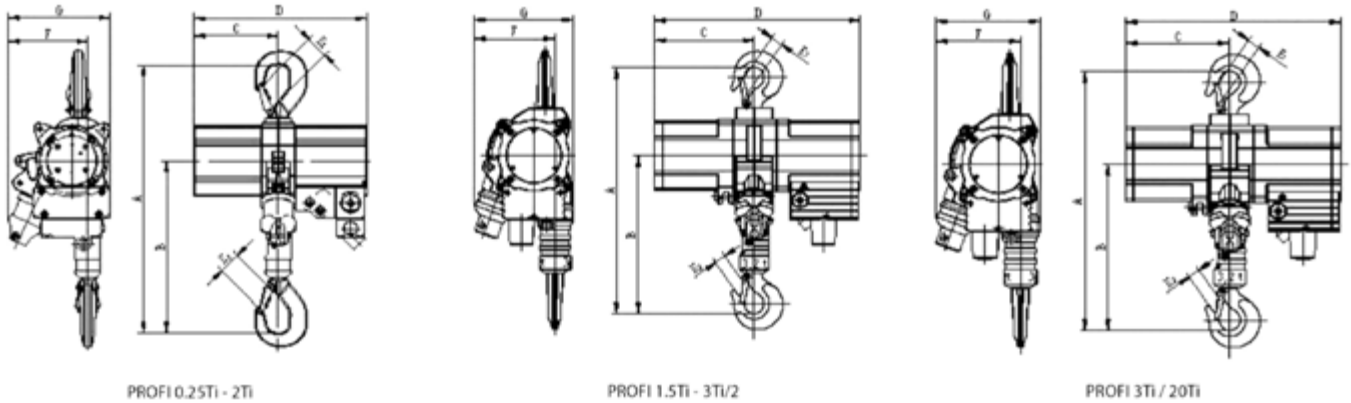
***Weight and headroom based on PROFI standard model with rope control and no chain bucket.

The information shown is to be used as a guide only. Specifications are subject to change without notice.
All materials handling or lifting jobs should be assessed individually. Pacific Hoists products are NOT to be used for lifting or lowering persons.



“We have the right product, at the right price, when you need it, on-time, every time”

Dimensions (in mm)



Model	0.25Ti	0.5Ti	1Ti	1.5Ti	2Ti	3Ti	3Ti/2	6Ti	10Ti	16Ti	20Ti
A (min. headroom ¹)	450	450	450	480	498	593	544	674	813	898	1030
B	288	288	288	293	336	373	356	454	548	598	670
C	145	145	145	200	145	233	200	233	308	382	382
D	297	297	297	412	297	483	412	483	575	692	692
E ₁	28	28	28	28	28	40	28	40	44	53	75
E ₂	28	28	28	26	28	30	28	40	44	53	75
F (up to hook centre)	137	137	137	170	137	187	140	154	197	199	180
G (max. width)	176	176	176	215	183	233	215	233	306	308	315

¹Chain buckets increase the hoist headroom

The information shown is to be used as a guide only. Specifications are subject to change without notice. All materials handling or lifting jobs should be assessed individually. Pacific Hoists products are NOT to be used for lifting or lowering persons.

